

Agilent BioTek BioStack Microplate Stacker



Product description

The Agilent BioTek BioStack microplate stacker is a compact and versatile microplate stacker compatible with Agilent BioTek washers, dispensers, readers and imaging systems. The unique plate carrier design of BioStack brings unprecedented transfer speeds to increase throughput and enhance productivity, accommodating assay workflows both with and without plate lids. Agilent BioTek BioStack 4 microplate stacker configuration has a rotational gripper for ergonomically friendly instrument panel access. Automate washing and liquid handling processes with BioStack and the Agilent BioTek 405 TS, Agilent BioTek 405 LS, Agilent BioTek EL406 or Agilent BioTek MultiFlo FX multimode dispenser with 24-, 48-, 96-, 384- and 1536-well plates. The BioStack 4 offers plate de-lidding and re-lidding capability, ideal for sensitive cell-based assays.

Walk-away batch microplate reading is also easily accomplished the Agilent BioTek Synergy line of multimode readers and Agilent BioTek Cytation cell imaging multimode readers, along with the Agilent BioTek Epoch and Agilent BioTek Epoch 2 microplate spectrophotometers. Stacks for 10, 30 or 50 microplates are available, all removable and interchangeable to accommodate individual throughput needs. Faster processing and walk-away automation means increased throughput and greater productivity!

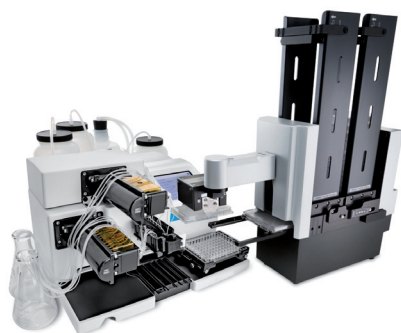


Figure 1. Agilent BioTek MultiFlo FX multimode dispenser with the Agilent BioTek BioStack microplate stacker.

Features

- < 10 second plate exchange time
- Patented plate de-lidding and re-lidding (BioStack 4 microplate stacker)
- Rotational gripper for ergonomic and compact integration
- Microplate formats including 6-, 12-, 24-, 48-, 96-, 384- and 1536-well (configuration dependent)
- 10, 30 or 50 standard-height microplates per interchangeable stack
- Optional barcode scanner
- Direct control through washer and dispenser interface or via Liquid Handling Control (LHC) software or Gen5 microplate reader and imager software

Typical applications

- ELISA automation
- Kinetic studies
- Cell-based assays
- Primary screening assays
- Colorimetric, fluorometric and luminescence assays

Configurations

- BIOSTACK4: Microplate stacker
- BIOSTACK3WR: Microplate stacker
- BIOSTACK2WR: Microplate stacker

Optional accessories

- 10 Microplate storage stacks (set of 2)
- 30 Microplate storage stacks (set of 2)
- 50 Microplate storage stacks (set of 2)
- Barcode scanner kit
- Product qualification package
- Instrument integration kits



Figure 2. Left to right: Agilent BioTek Cytation 1 cell imaging multimode reader, Agilent BioTek MultiFlo FX multimode dispenser, and Agilent BioTek BioStack microplate stacker.

Technical details

General			
	BioStack 4 (BIOSTACK4)	BioStack 3 (BIOSTACK3WR)	BioStack (BIOSTACK2WR)
Microplate Types	ANSI/SLAS standard and low profile 96-, 384- and 1536-well plates 24- and 48-well plates (configuration dependent) Maximum plate height 23.2 mm	ANSI/SLAS standard and low profile 96-, 384- and 1536-well plates Maximum plate height 14.6 mm	ANSI/SLAS standard and low profile 96-, 384- and 1536-well plates Maximum plate height 14.6 mm
Lidded Plate Handling	De-lidding capability: (lids always removed during processing) 96-, 384- and 1536-well plates. Maximum height, including lids: 16.9 mm Nunc plates: (lids can remain on plate during process, or can be removed) 6-, 12-, 24-, 48-well plates. Maximum height, including lids: 23.2 mm	n/a	n/a
Microplate Capacity	10-, 30- and 50-plate stacks are removable and interchangeable 96-/384-well: Up to 50 plates 1536-well: Up to 75 plates Lidded plates compatible only with 10- and 30-plate stacks		
Compatible Instruments	Agilent BioTek: EL406, 405 TS, 405 LS, MultiFlo FX, MultiFlo, PowerWave (except HT), Epoch, Epoch 2, Synergy and Cytation		Agilent BioTek: EL406, 405 TS, 405 LS, MultiFlo FX, MultiFlo, MicroFill, Precision, PowerWave, Epoch, Epoch 2 and Synergy
Barcode Scanner (Option)	Landscape or portrait orientation, Code 39, Codabar, UPC/EAN, Code 128 compatible		
Processing Speed (Plate Exchange Time)	< 20 seconds (with de-lidding) < 12 seconds (without lids)	< 10 seconds	< 33 seconds
Direct Control	Washers and dispensers with keypad interface can directly control the Agilent BioTek BioStack microplate stacker		
PC Software	Liquid Handling Control (LHC) software for liquid handling instruments (optional) Gen5 microplate reader and imager software for readers		
Physical characteristics			
Power	100 – 240 Volts AC. 50/60 Hz		
Weight	< 25 lbs (11.3 kg)		
Dimensions	22" L x 8.3" W (55.8 L x 21 W cm)	20.7" L x 7.4" W (52.5 L x 18.8 W cm)	18.5" L x 7" W (46.9 L x 17.8 W cm)
	Overall height will vary depending on connected instrument and stacks used.		

www.agilent.com/lifesciences/biotek

DE44153.1124074074

This information is subject to change without notice.

© Agilent Technologies, Inc. 2021
Printed in the USA, October 1, 2021
5994-2745EN